

Smart Panlee

Sheet: /
File: ZXModel-test.kicad_sch

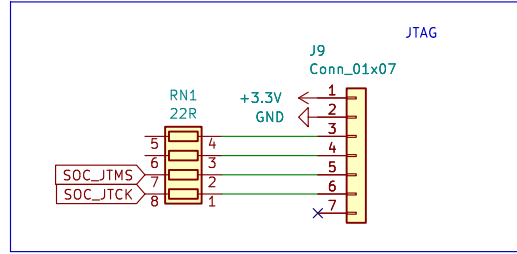
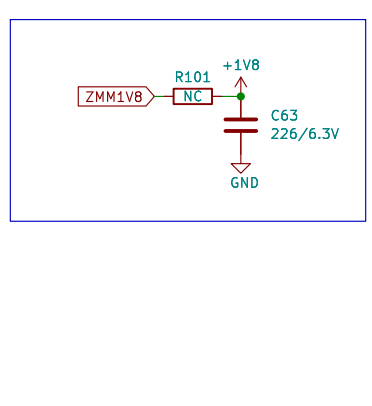
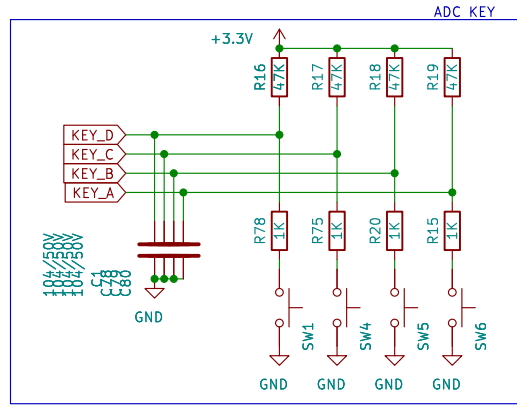
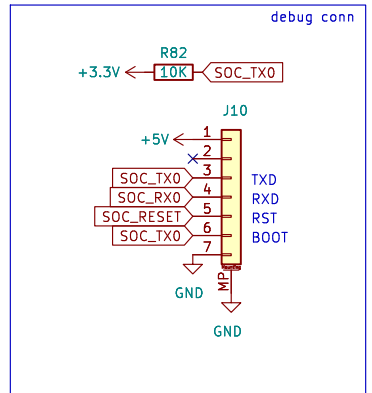
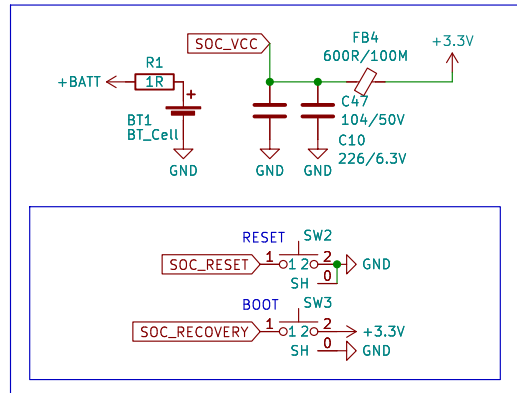
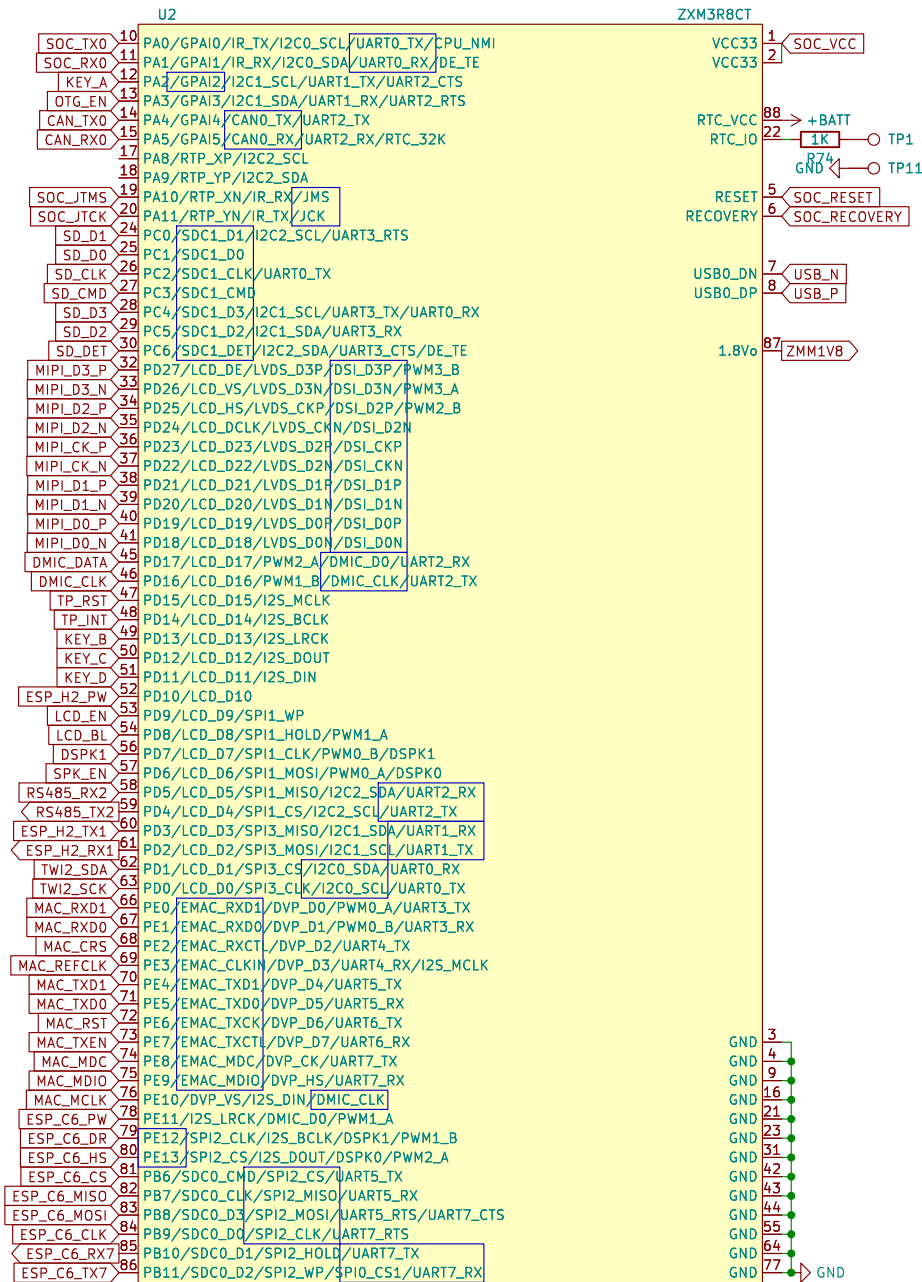
Title: 7'+M4

Size: A4 Date: 2023-11-24

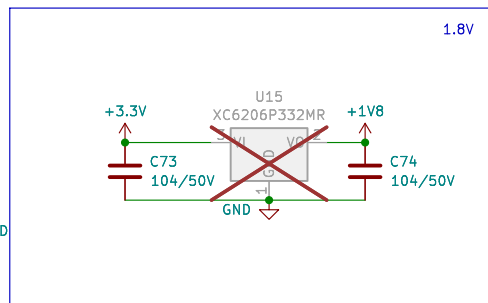
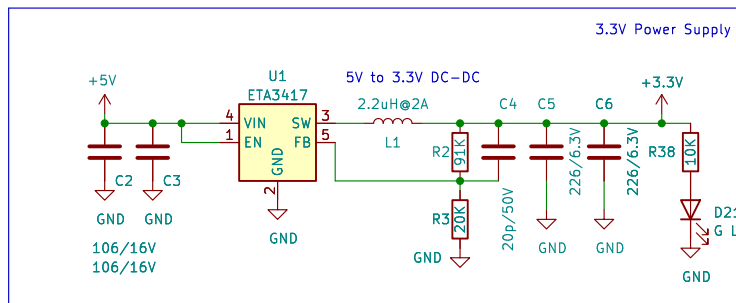
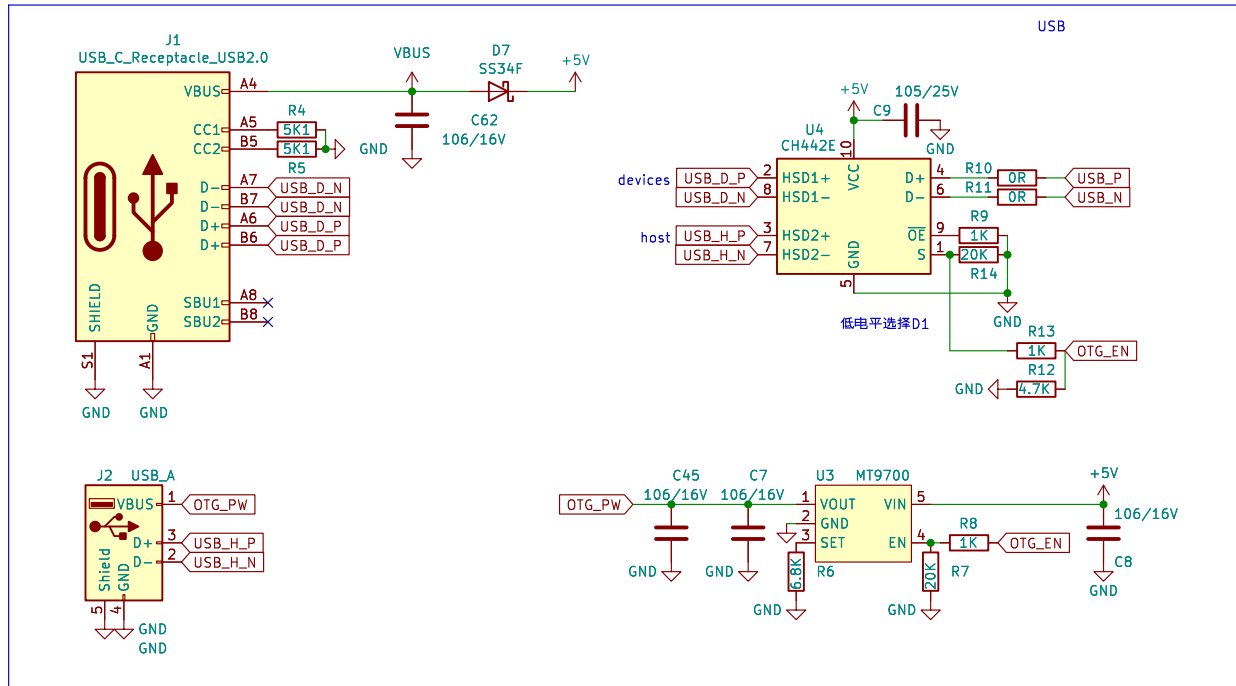
Rev: V1.0c

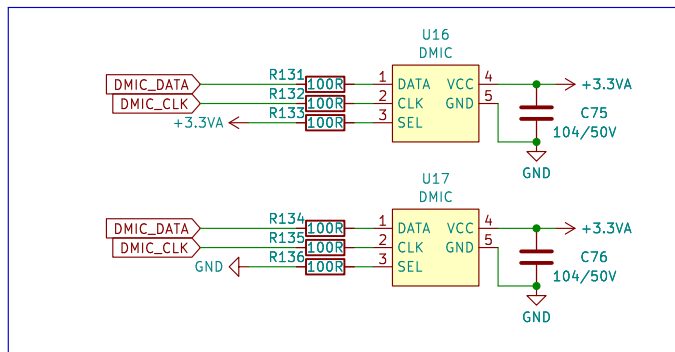
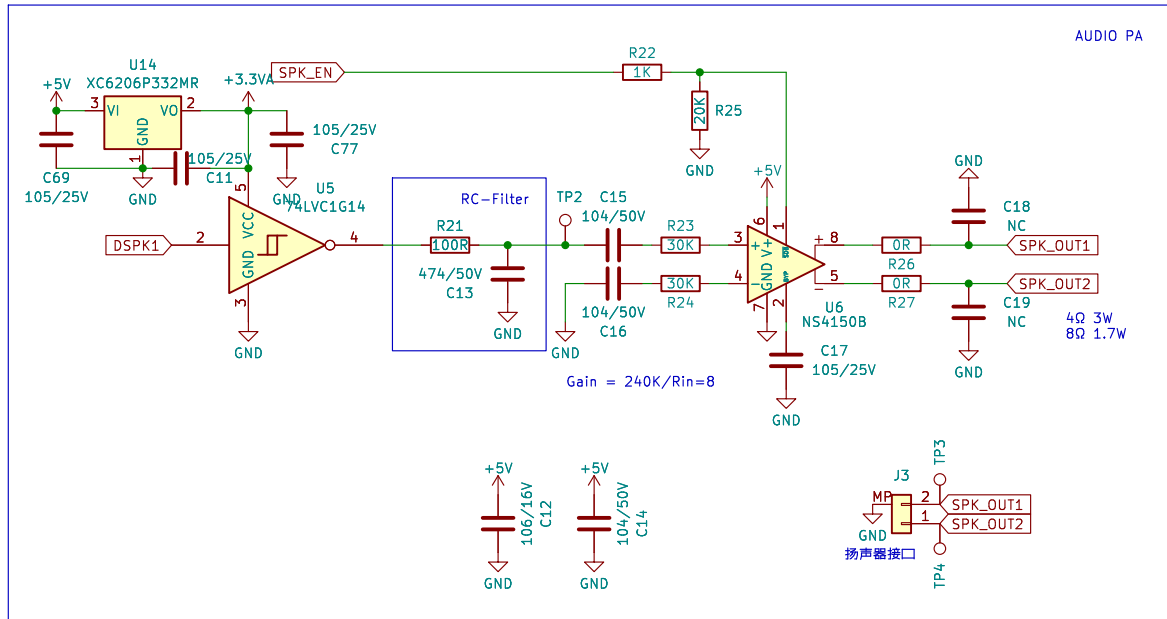
KiCad E.D.A. kicad 7.0.9

Id: 1/9



Sheet: /Model 4/		File: Model 4.kicad_sch	
Title:			
Size: A4	Date:	Rev:	
KiCad E.D.A. kicad 7.0.9		Id: 1/9	





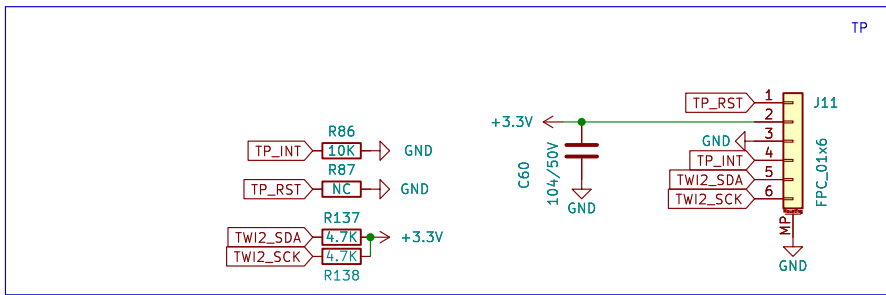
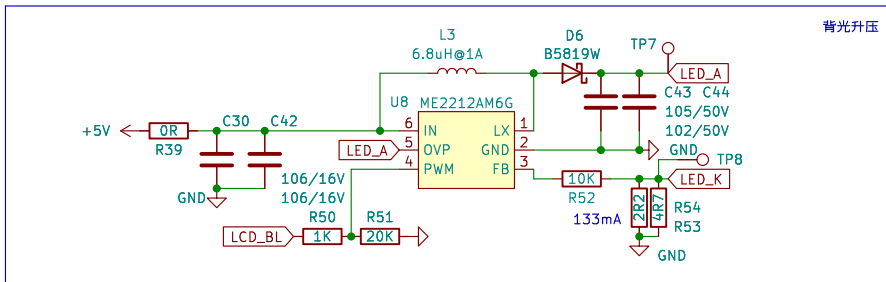
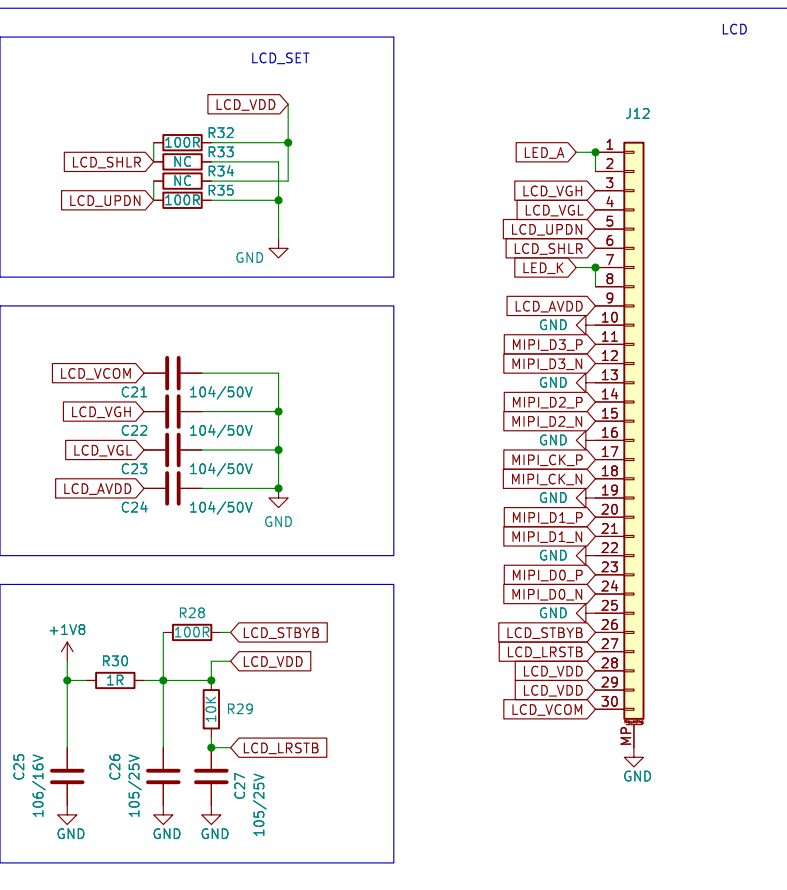
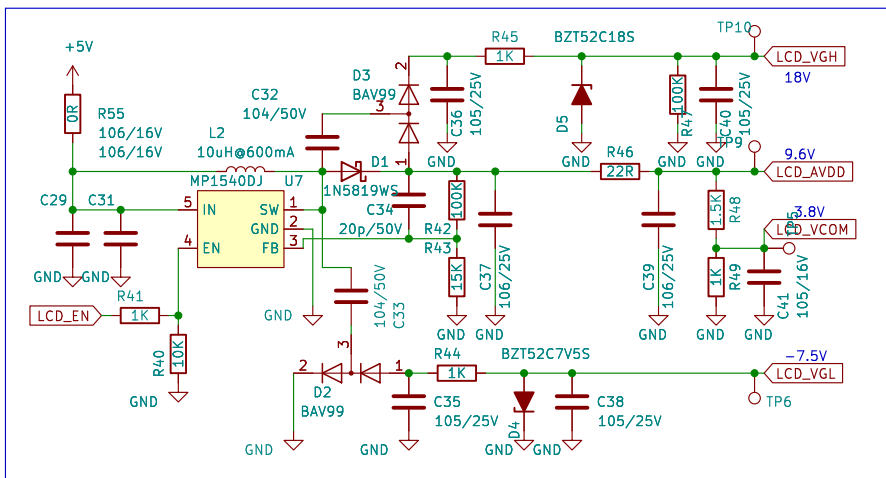
Sheet: /AUDIO/
 File: AUDIO.kicad_sch

Title:

Size: A4
 KiCad E.D.A. kicad 7.0.9

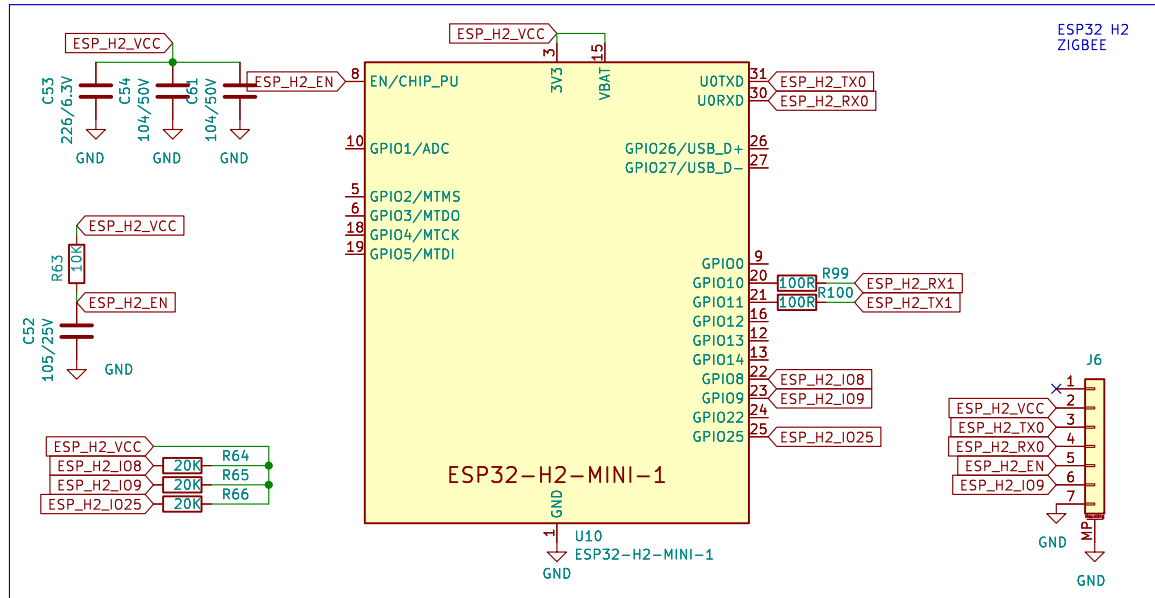
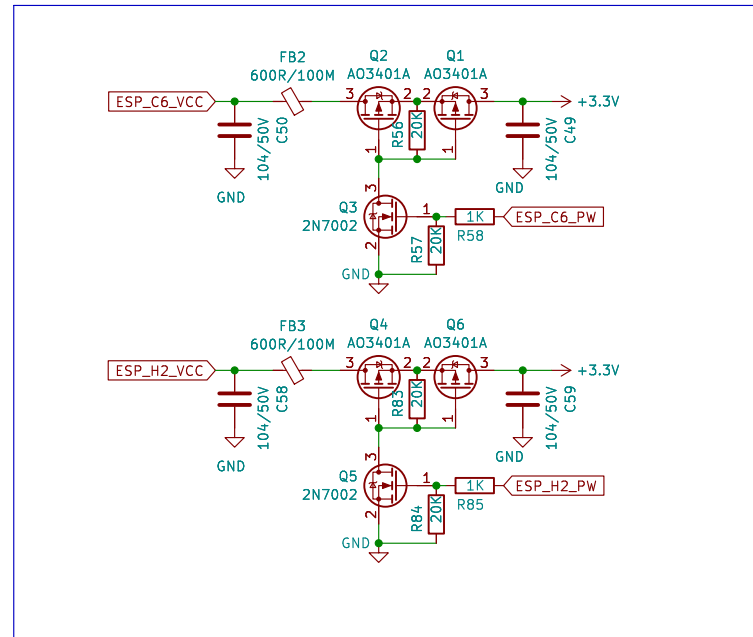
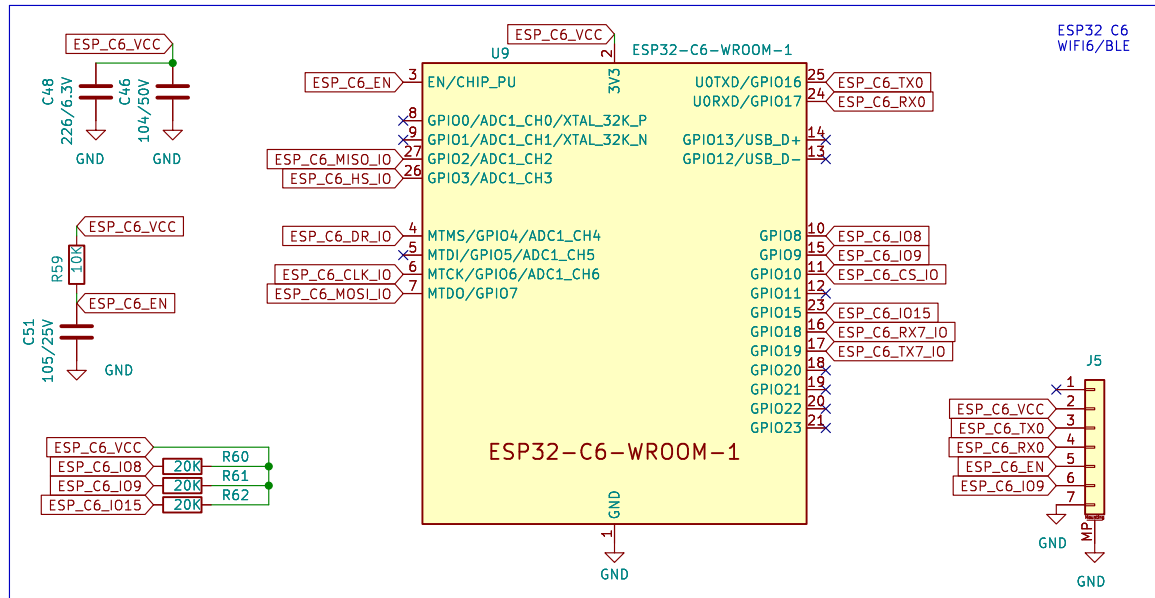
Date:

Rev:
 Id: 3/9



Sheet: /LCD/ File: LCD.kicad_sch	
Title:	
Size: A4	Date:
KiCad E.D.A. kicad 7.0.9	Rev: Id: 4/9

ESP_C6_RX7 2 7 ESP_C6_RX7_IO
 ESP_C6_TX7 1 8 ESP_C6_TX7_IO



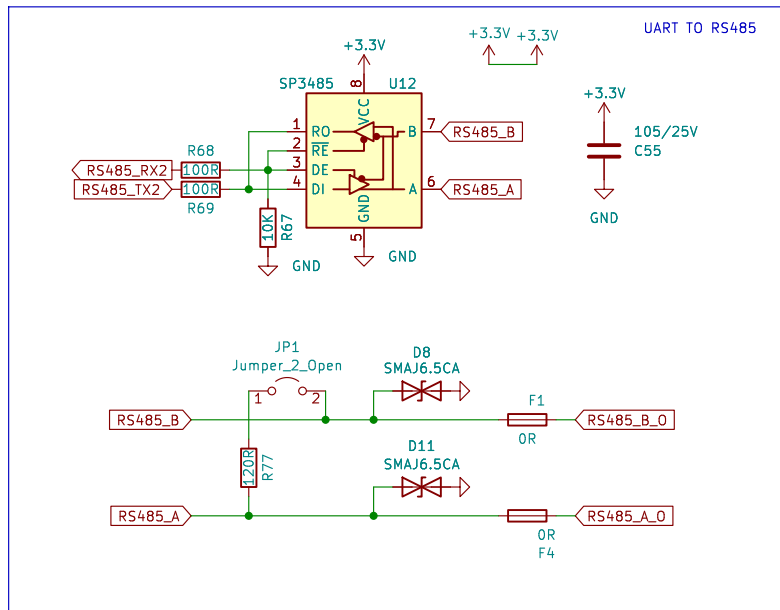
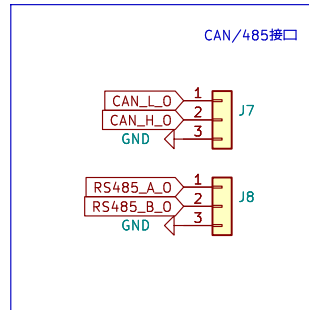
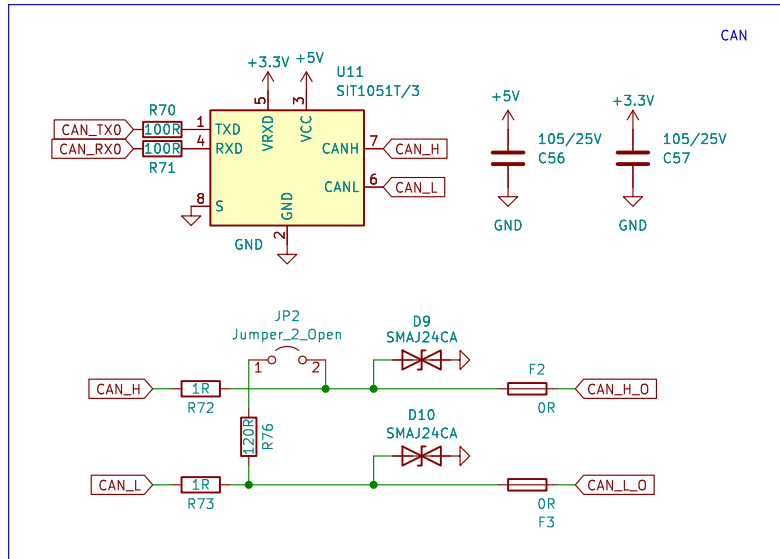
Hardware connections for ESP32

STM32 Pin	ESP32 Pin	ESP32-S2/S3	ESP32-C2/C3/C6	Function
PB4 (pin5)	IO19	IO13	IO2	MISO
PA5 (pin7)	IO18	IO12	IO6	CLK
PB5 (pin9)	IO23	IO11	IO7	MOSI
PA15 (pin11)	IO5	IO10	IO10	CS
GND (pin2)	GND	GND	GND	GND
PC6 (pin6)	IO2	IO2	IO3	Handshake
PC7 (pin8)	IO4	IO4	IO4	Data Ready from ESP
PB13 (pin10)	EN	RST	RST	Reset ESP

Sheet: /RF/
 File: RF.kicad_sch

Title:

Size: A4 Date: Rev:
 KiCad E.D.A. kicad 7.0.9 Id: 5/9

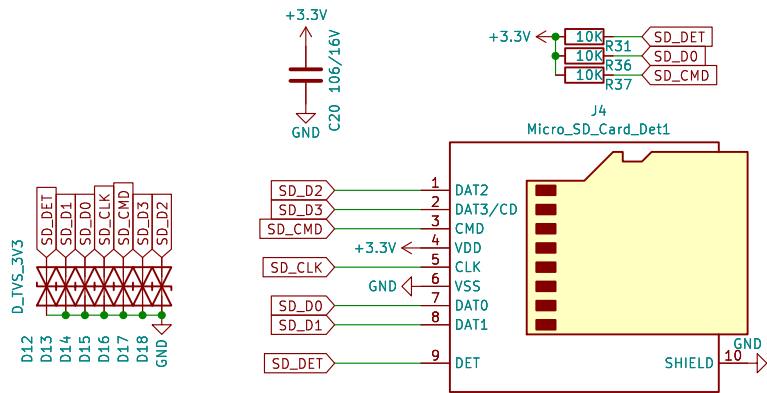


Sheet: /10/
File: 10.kicad_sch

Title:

Size: A4 Date:
KiCad E.D.A. kicad 7.0.9

Rev:
Id: 6/9



Sheet: /SD/
 File: SD.kicad_sch

Title:

Size: A4

Date:

KiCad E.D.A. kicad 7.0.9

Rev:

Id: 8/9

