



5

4

3

2

1

D

D

C


C

B

B

A

A

	Shenzhen Tactile Intelligent Technology Co., Ltd.		
	Title IDO-SBC2D70-V1		
Size A3	Document Number	NOTE	Rev
Date:	Tuesday, November 03, 2020	Sheet 1	of 12

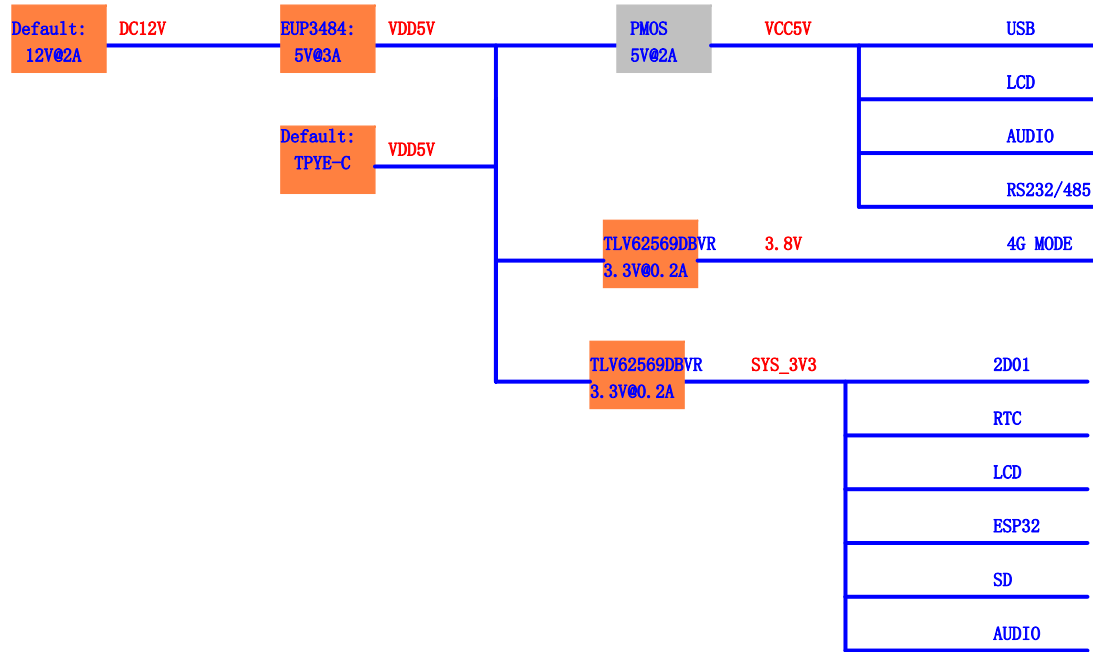
5

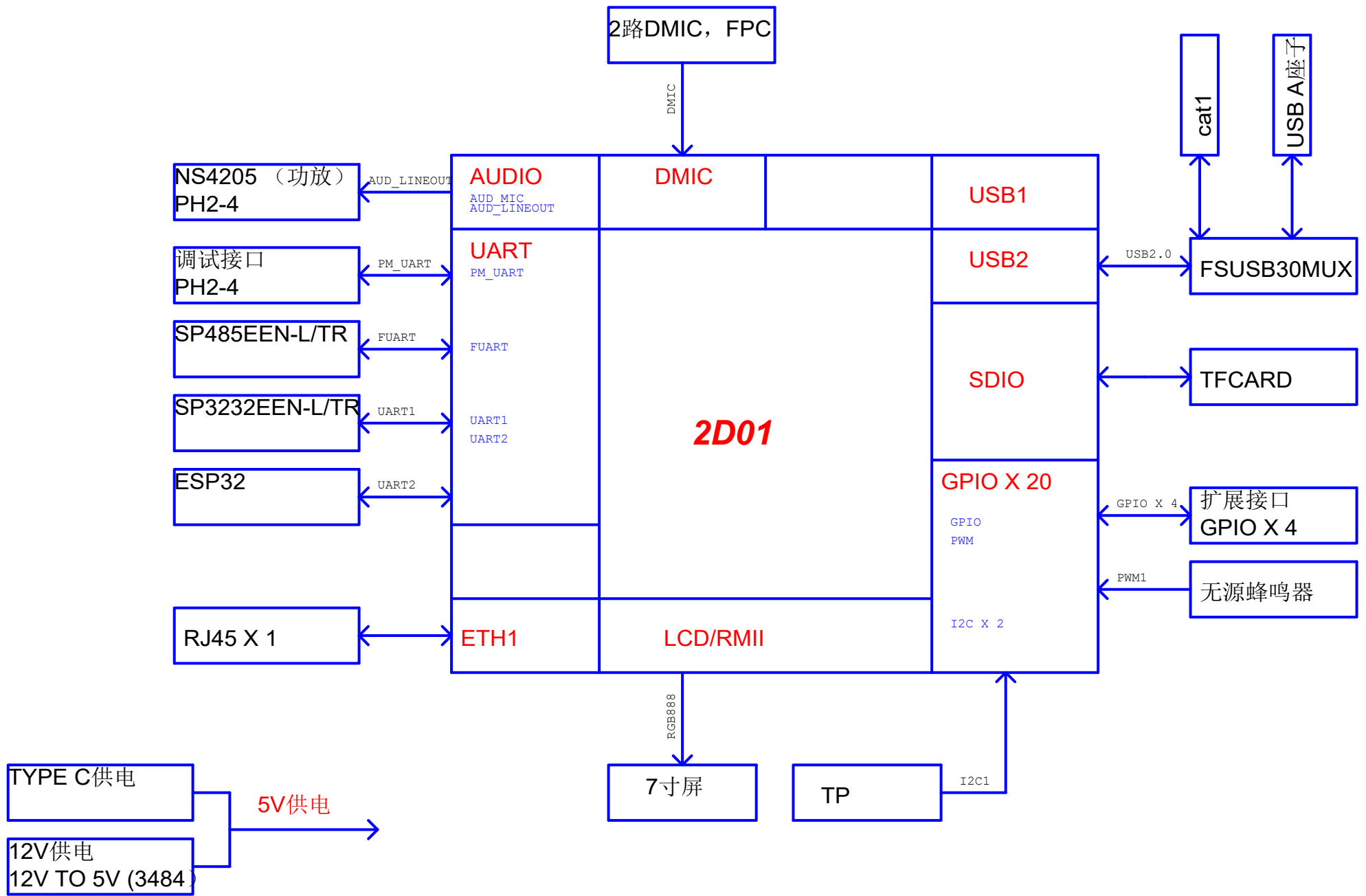
4

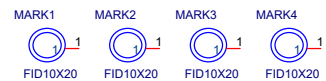
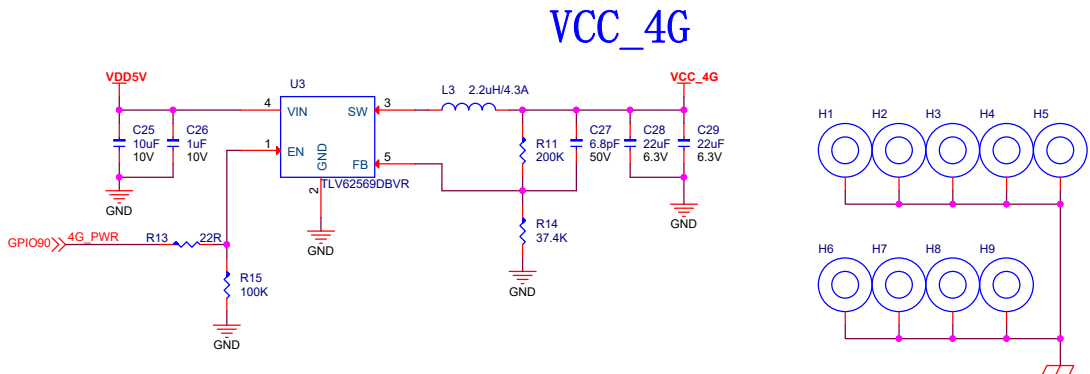
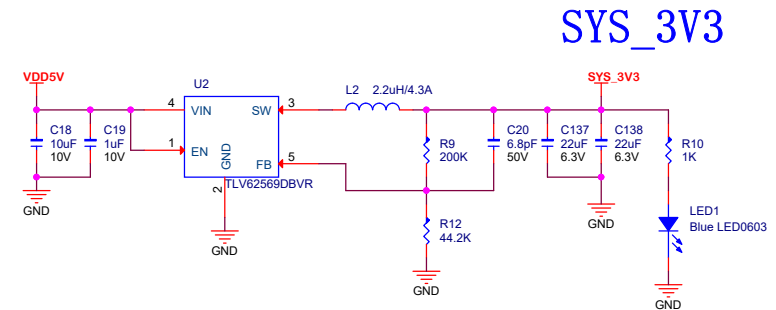
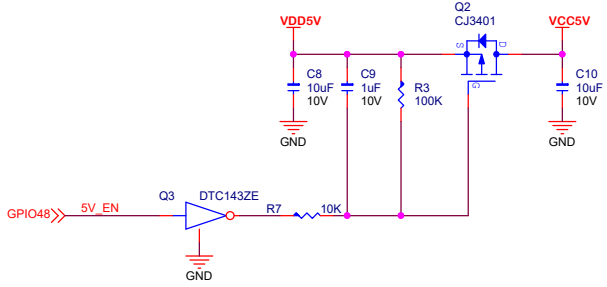
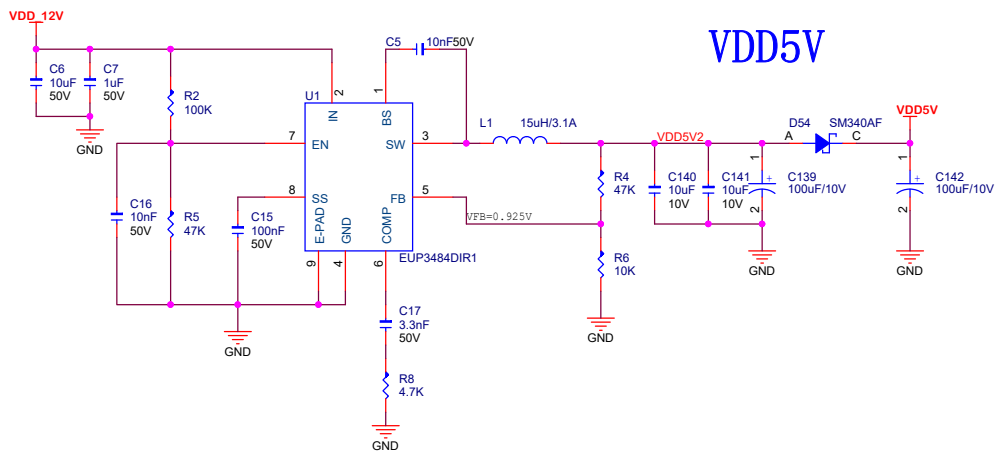
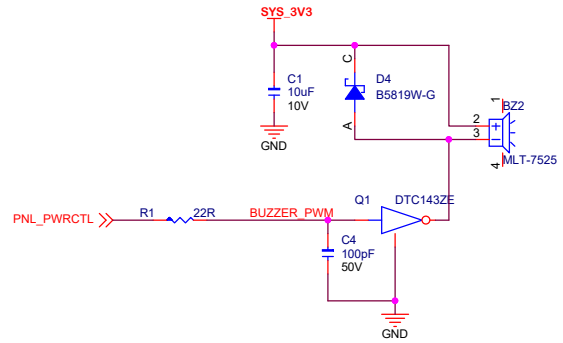
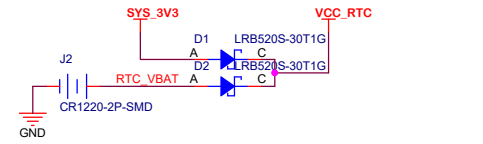
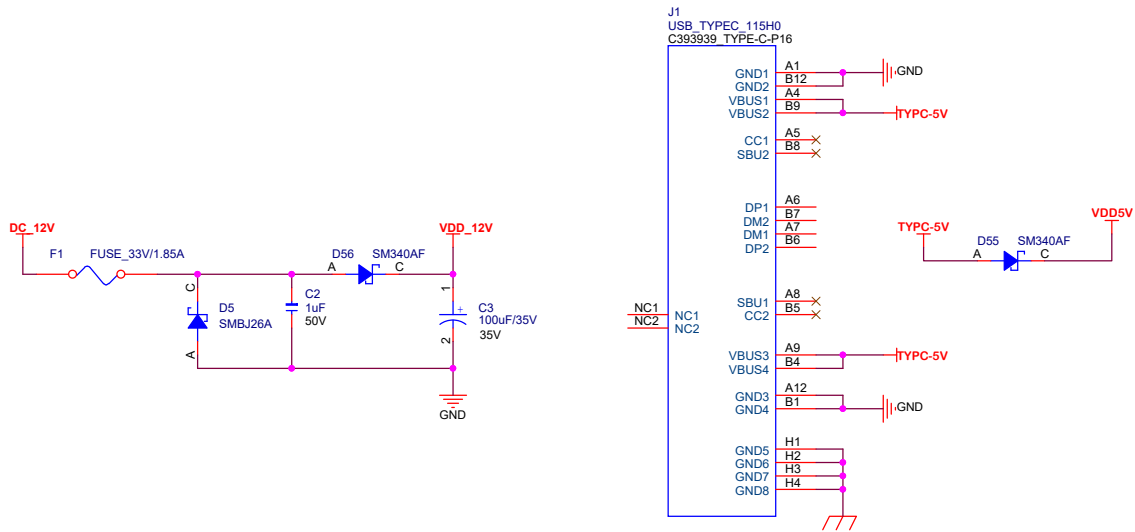
3

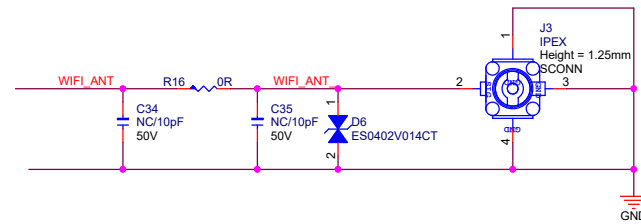
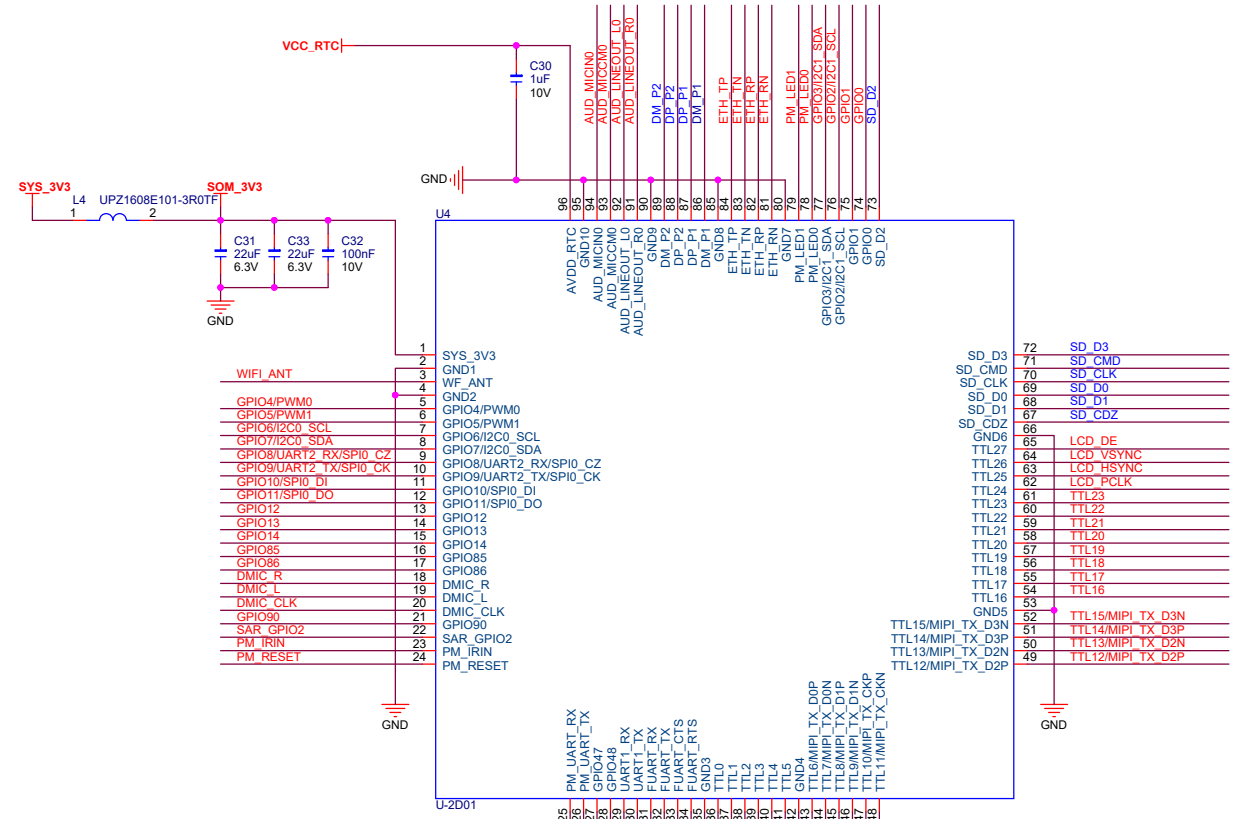
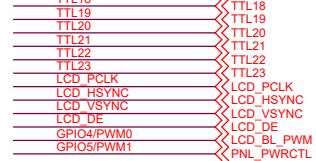
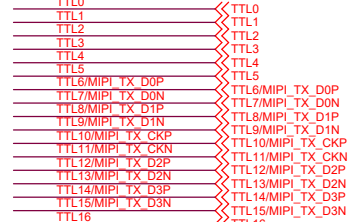
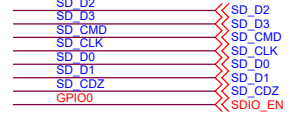
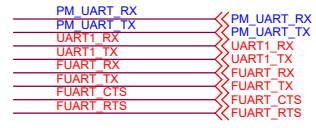
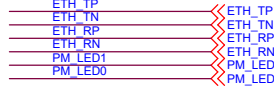
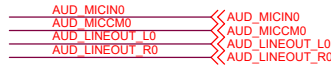
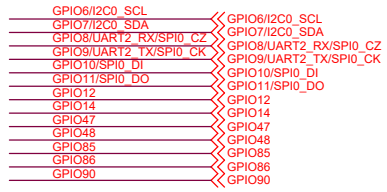
2

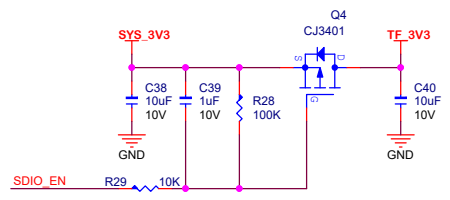
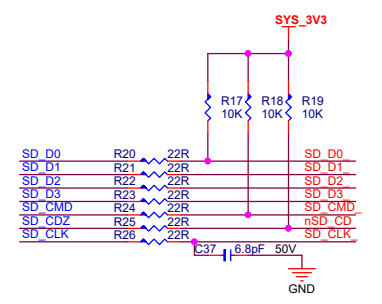
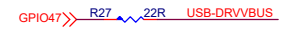
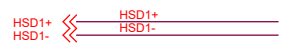
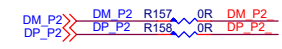
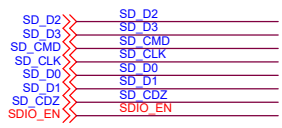
1



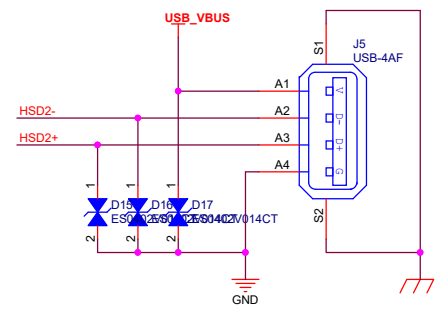
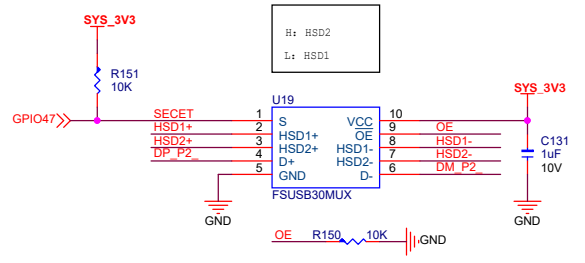
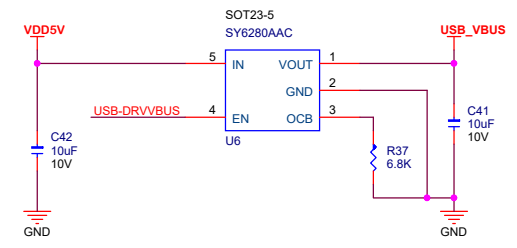
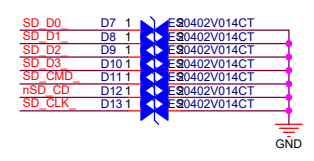
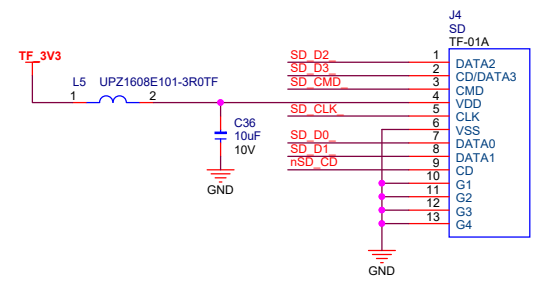


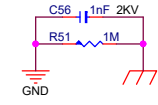
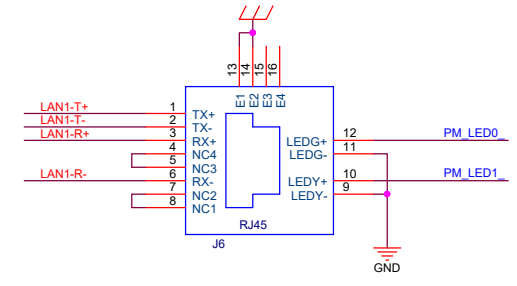
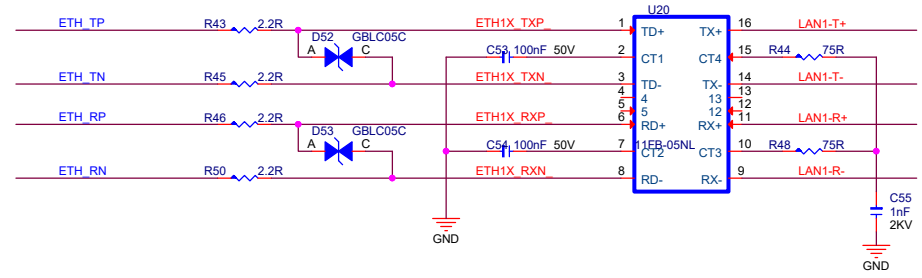
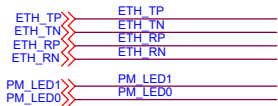




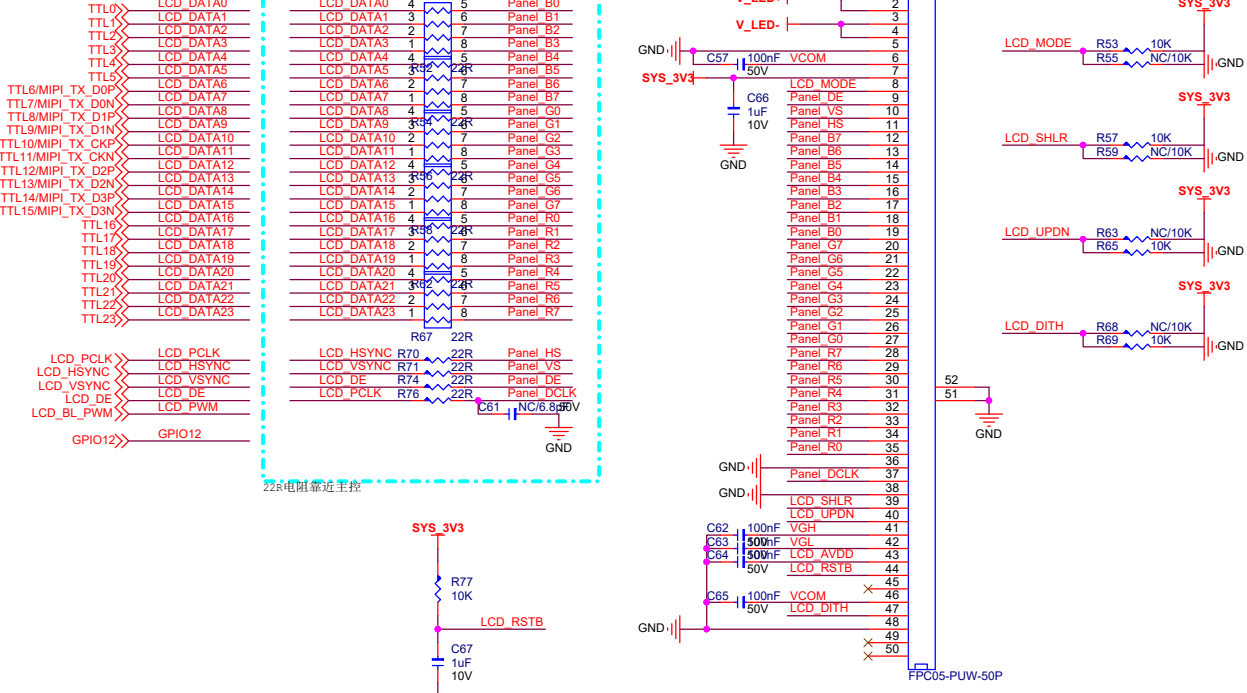


TF_CARD

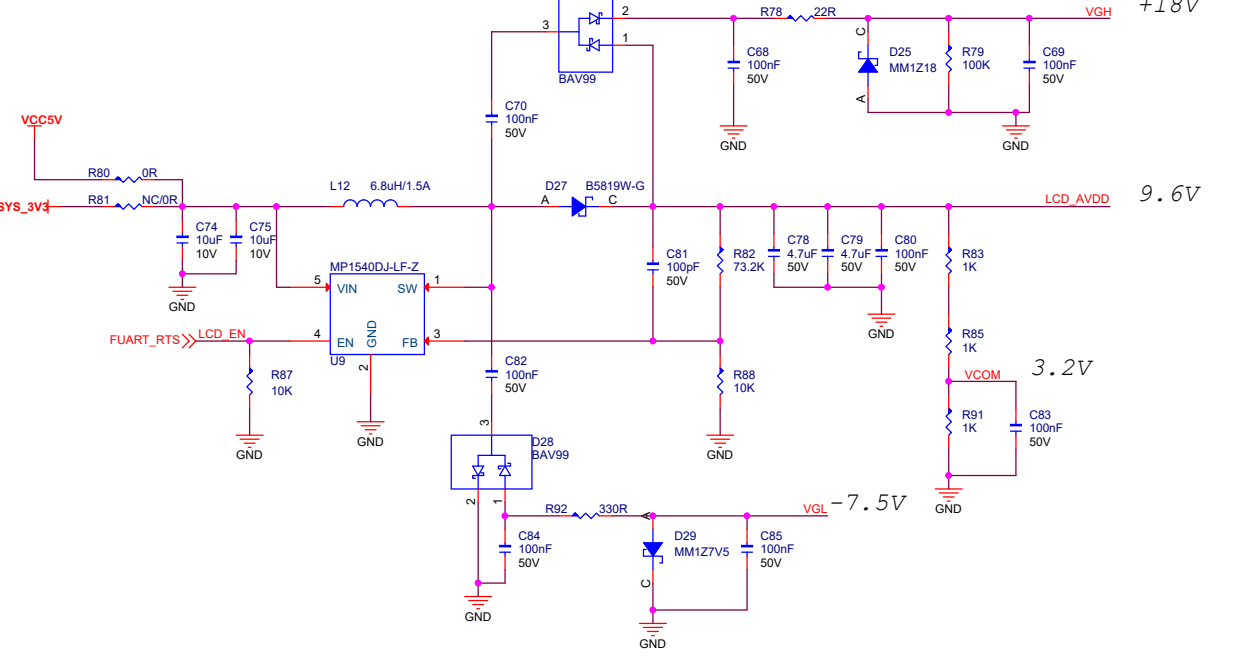




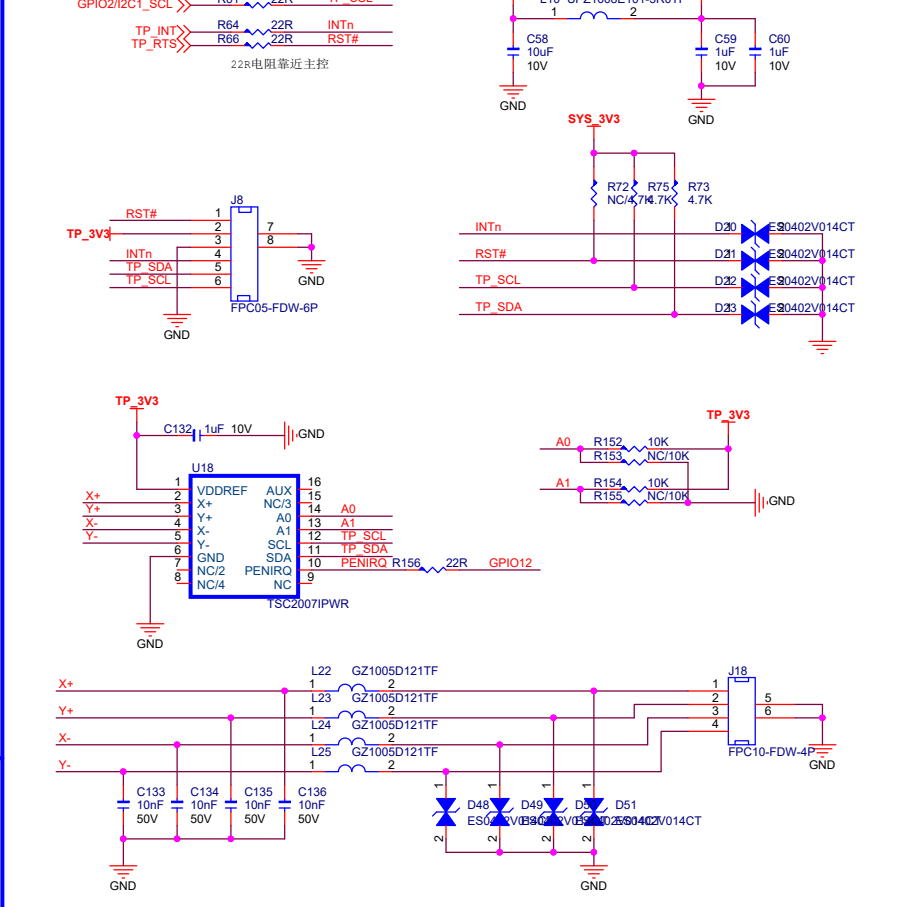
LCD



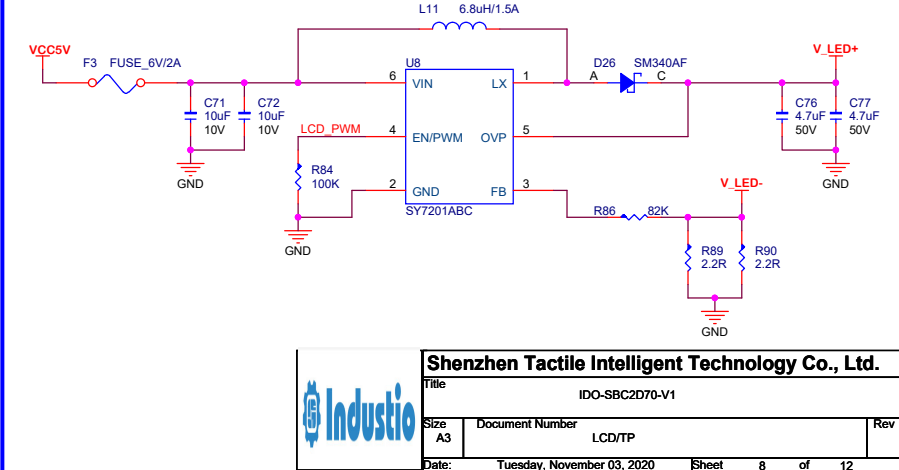
VLCD



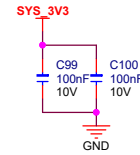
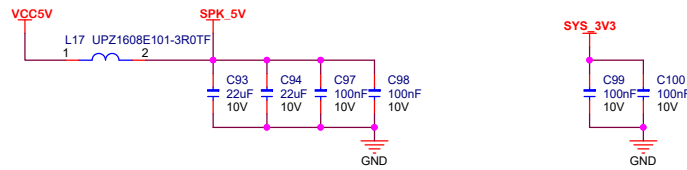
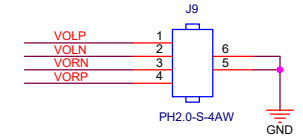
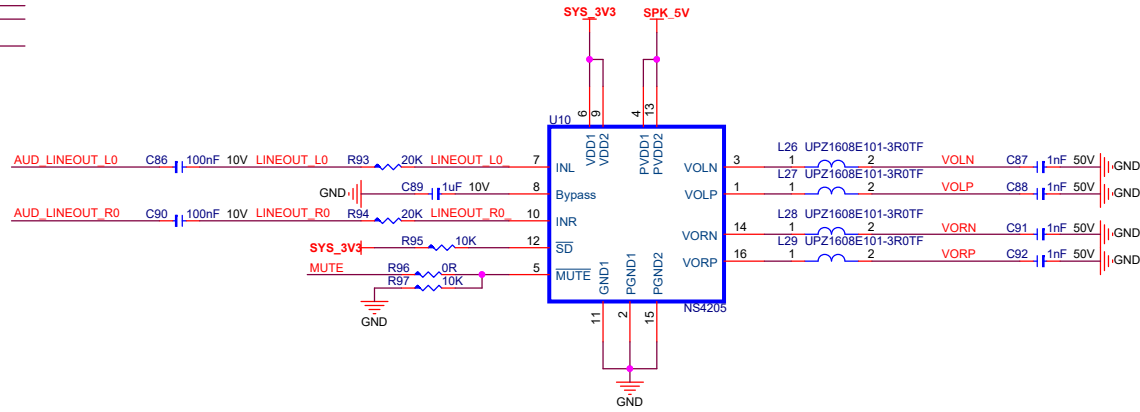
TP



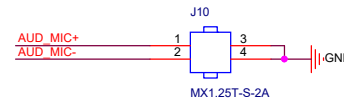
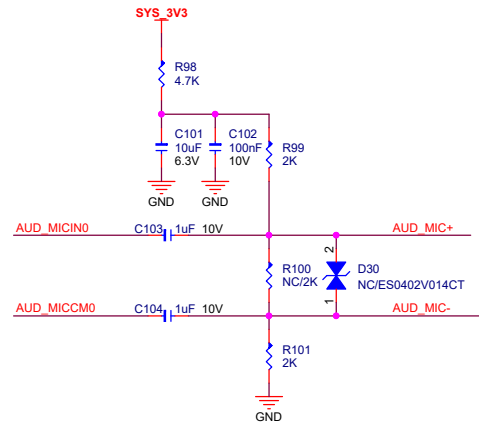
VLED



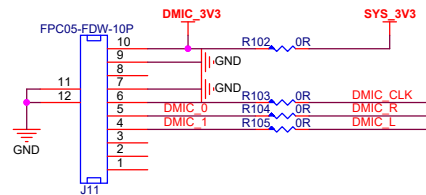
AUD_LINEOUT_L0 >>> AUD_LINEOUT_L0
 AUD_LINEOUT_R0 >>> AUD_LINEOUT_R0
 GPIO14 >>> MUTE

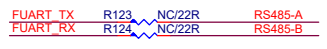
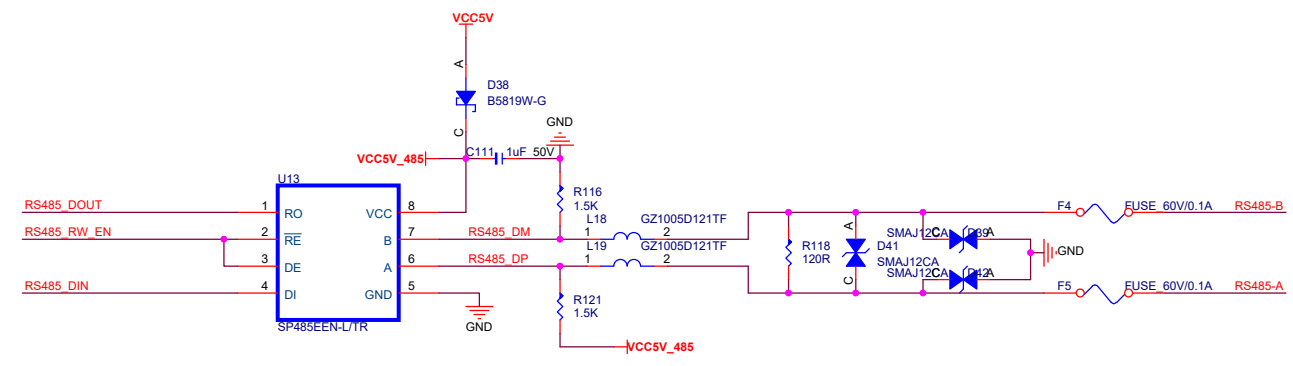
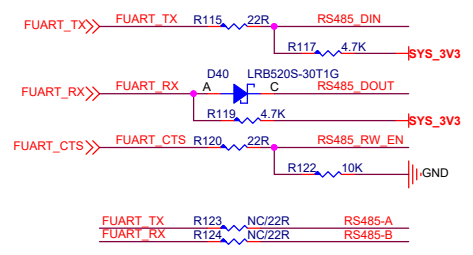
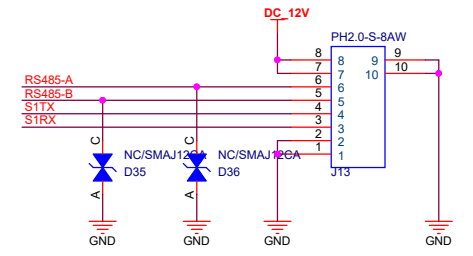
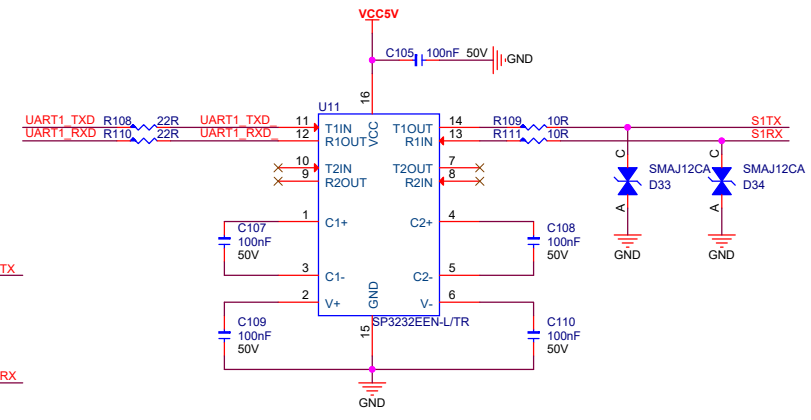
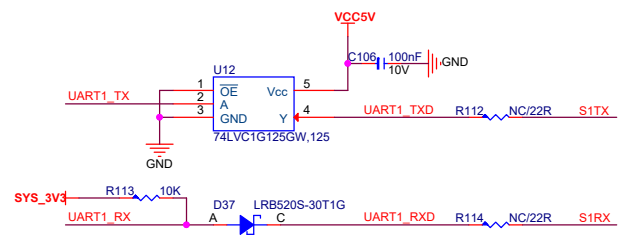
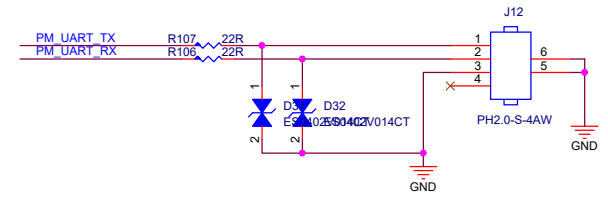
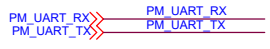


AUD_MICIN0 >>> AUD_MICIN0
 AUD_MICCM0 >>> AUD_MICCM0

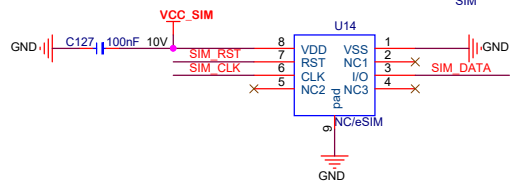
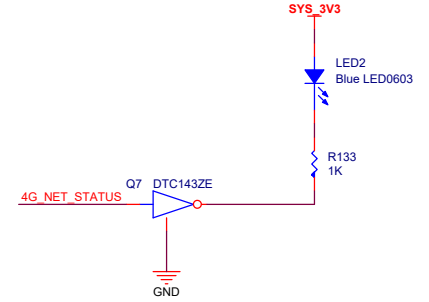
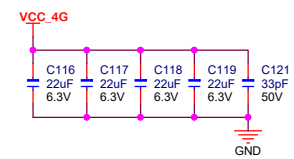
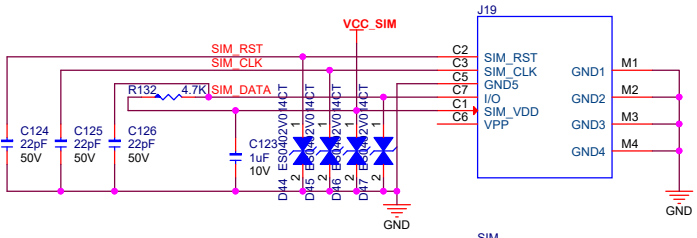
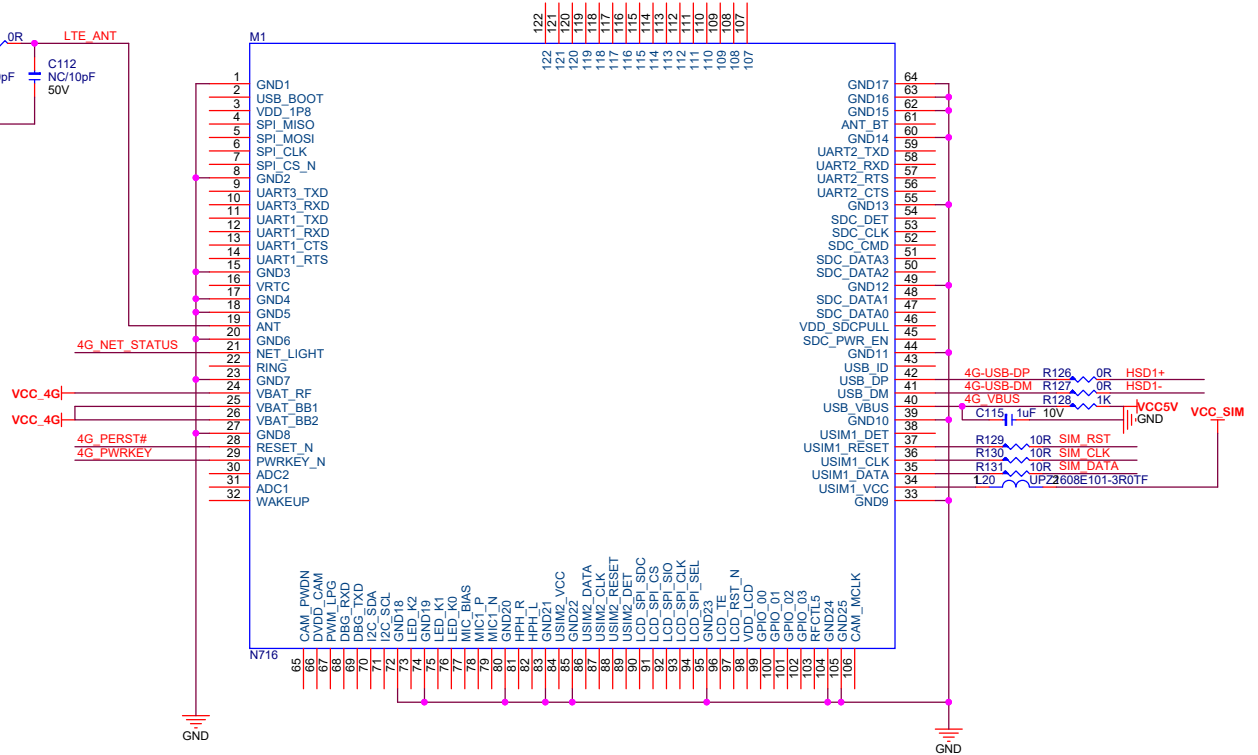
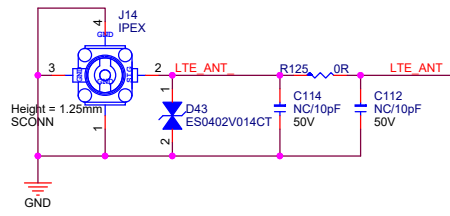
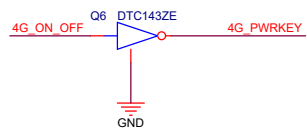
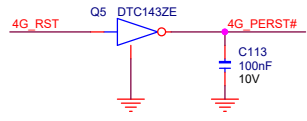


DMIC_R >>> DMIC_R
 DMIC_L >>> DMIC_L
 DMIC_CLK >>> DMIC_CLK





4G



Shenzhen Tactile Intelligent Technology Co., Ltd.

Title: IDO-EVB2D01-V1

Size A3 | Document Number: CAT1 | Rev: []

Date: Tuesday, November 03, 2020 | Sheet: 11 of 12

GPIO8/UART2_RX/SPI0_CZ UART2_RX R134 22R UART2_RXD
 GPIO9/UART2_TX/SPI0_CK UART2_TX R135 22R UART2_TXD

